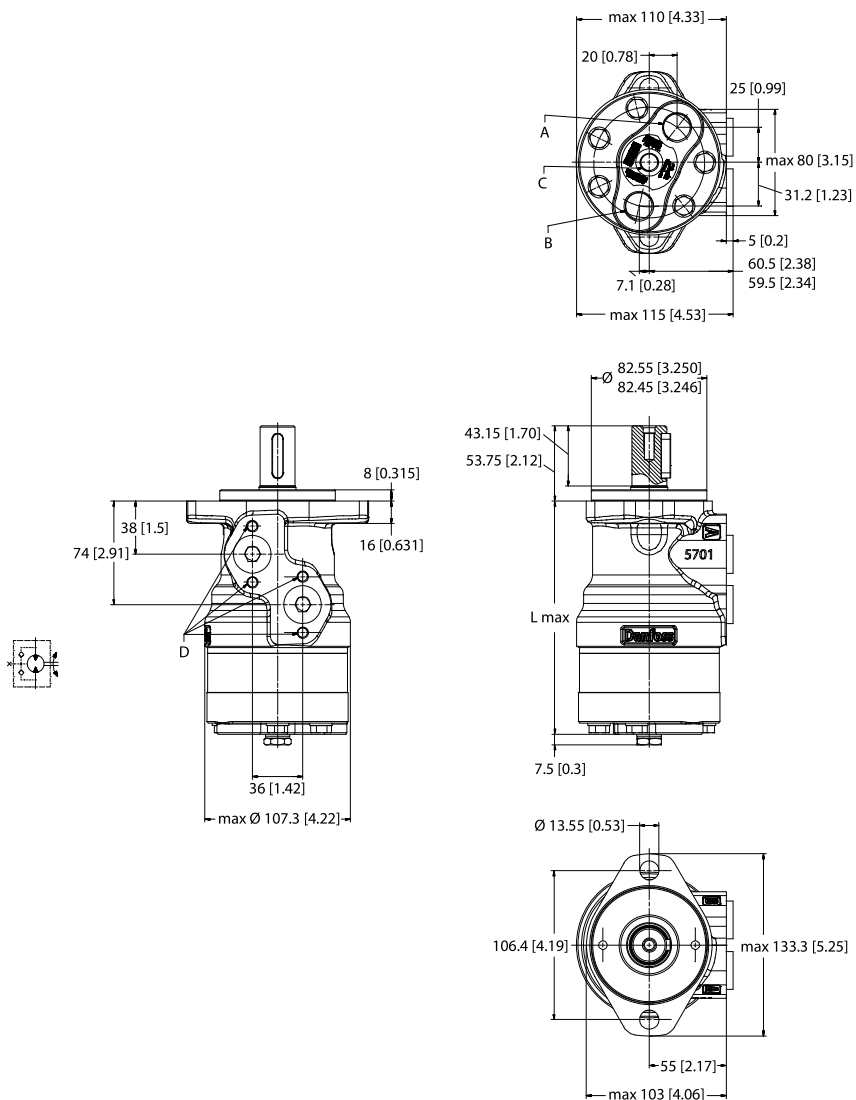


OMR X dimensions

EU version end port version with 2-hole oval mounting flange (A2-flange)



P109287

Port connections:

- A, B** Main ports: G 1/2; min 15 mm [0.59 in] deep
- C** Drain port: G 1/4; 12 mm [0.47 in] deep
- D** Thread: M8; 13 mm [0.51 in] deep

Size	50	80	100	125	160	200	250	315	375
L max. mm [in]	150.3 [5.82]	155.3 [6.12]	155.3 [6.12]	158.7 [6.25]	163.1 [6.43]	169.1 [6.66]	176.1 [6.94]	184.6 [7.28]	192.3 [7.58]